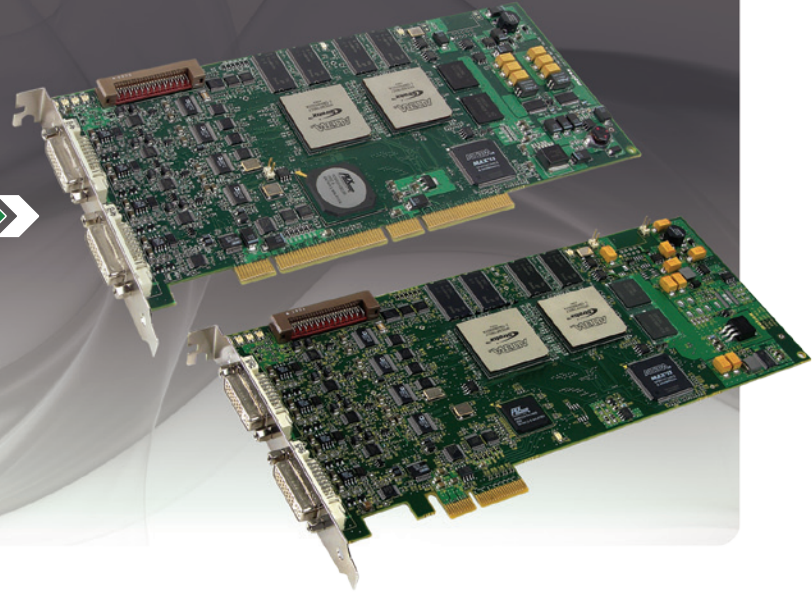


# Matrox Solios eA/XA >>>

Cost-effective analog frame grabber.



## Key features

PCIe® x1 or PCIe® x4 (eA), or PCI-X® (XA) card

up to four fully independent inputs

10-bit A/D converters

sampling rate up to 65 MHz

video synchronization and PLL lock detection

64 MB acquisition buffer

serial communication ports mapped as PC COM ports

programmed using Matrox Imaging Library (MIL) sold separately

supports 32/64-bit Microsoft® Windows® XP/Vista®/7 and 32/64-bit Linux®

[www.envision.co.kr](http://www.envision.co.kr)

## Cost-optimized and value-packed design

The Matrox Solios eA/XA frame grabber strikes a perfect balance between functionality and cost. Its high fidelity analog acquisition capabilities and high-performance PCI Express® (PCIe®) or PCI-X® bus interface make the Matrox Solios eA/XA a good match for mainstream cameras and the right choice for cost sensitive applications.

## High fidelity analog acquisition

Matrox Solios eA/XA has up to four completely independent inputs for high fidelity video capture. In addition to being able to simultaneously acquire from up to four single-output video sources, the inputs can be combined to simultaneously acquire from two dual-output video sources or one RGB video source. Each input of the Matrox Solios eA/XA features circuitry to monitor the presence of a video (synchronization) signal and status of the phase-locked loop. The Matrox Solios eA/XA can also transparently convert between monochrome and packed/planar RGB color spaces enabling the optimum representation of image data for processing and/or display.

## Choice of high-performance bus interfaces

PCI EXPRESS

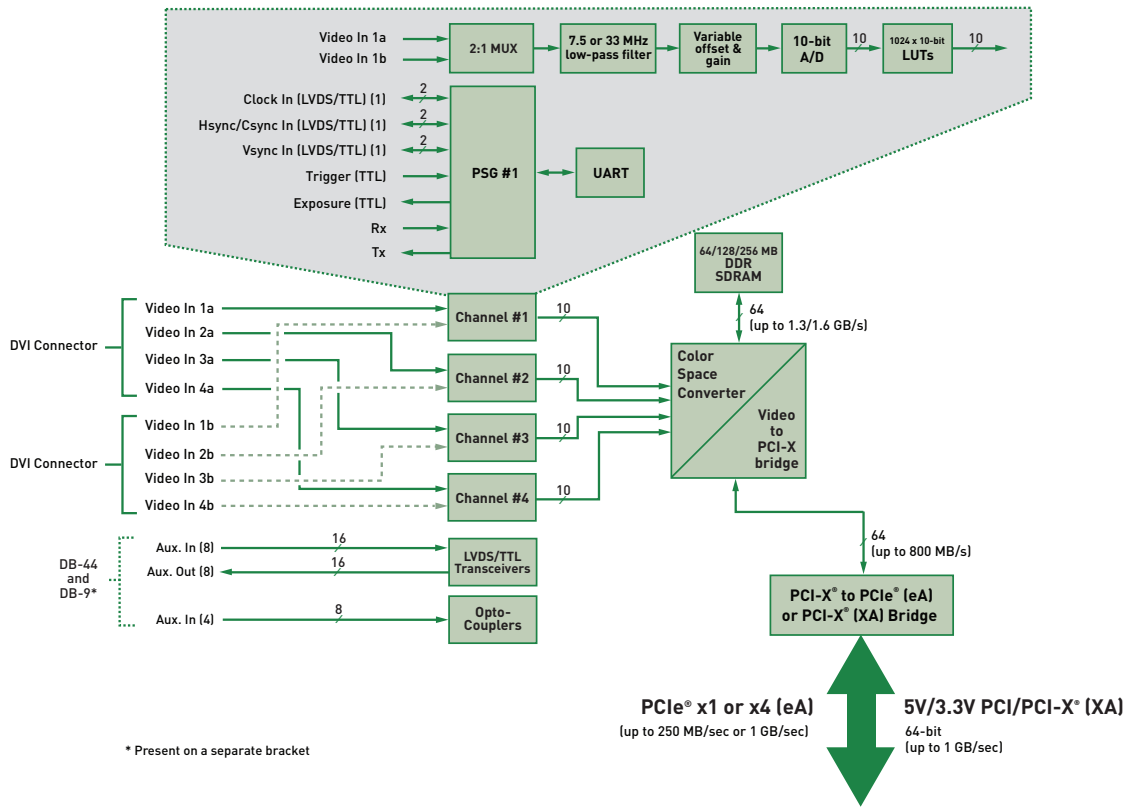


Four lane PCIe® (x4) and PCI-X® are the interfaces used to connect to the host PC on the Matrox Solios eA and Matrox Solios XA boards respectively. PCIe® is the follow-on to conventional PCI and PCI-X®. Version 1.x of PCIe® operates at 2.5 GHz to deliver a peak bandwidth of 1GB/sec over a x4 implementation. PCI-X® is a high-performance backwards-compatible enhancement to conventional PCI. Version 1.0a of PCI-X® specifies a 64-bit physical connection running at speeds of up to 133 MHz resulting in a peak bandwidth of up to 1 GB per second.

**envision**  
(주)엔비전



# Matrox Solios eA/XA



## Field-proven application development software

Matrox Solios eA/XA is supported by the Matrox Imaging Library (MIL), a comprehensive collection of software tools for developing industrial imaging applications. MIL features interactive software and programming functions for image capture, processing, analysis, annotation, display and archiving. These tools are designed to enhance productivity, thereby reducing the time and effort required to bring your solution to market. Refer to the MIL datasheet for more information.

## Specifications

### Hardware

- PCIe® x1 or x4 card, or PCI/PCI-X® card with universal 64-bit card edge connector (64-bit 33/66 MHz 5V/3.3V PCI and 64-bit 66/100/133 MHz PCI-X®)
- 64MB of 83/100 MHz DDR SDRAM for acquisition
- up to four independent analog video inputs with
  - 2:1 mux
  - AC coupling
  - selectable low pass filter: 7.5 MHz or 33 MHz
  - variable gain amplifier and adjustable references
  - 10-bit A/D with sampling rate up to 65 MHz
  - SNR of 55.6 dB<sup>1</sup>
  - pixel jitter of  $\pm 2.3\text{ns}^2$
  - video synchronization and PLL lock detection
  - 1K x 10-bit LUT
  - LVDS/TTL pixel clock, hsync/csync, and vsync inputs or outputs
  - TTL trigger input and exposure output
  - serial communication port mapped as PC COM port
- inputs can be combined to acquire from
  - component RGB source
  - two dual-output monochrome video sources
- supports frame and line-scan video sources
- eight TTL/LVDS configurable auxiliary inputs
- eight TTL/LVDS configurable auxiliary outputs
- four opto-isolated configurable auxiliary inputs
- PROM for storing calibration parameters

### Dimensions and environmental information

- 23.4 L x 11.4 H x 1.57 W cm (9.225" x 4.5" x 0.62") from bottom edge of goldfinger to top edge of board and without bracket and retainer
- power consumption (typical): 1.64A @ 5V or 8.21W, 0.325A @ 12V or 3.90W, or 12.11W total<sup>3</sup>
- operating temperature: 0°C to 55° C (32° F to 131° F)
- relative humidity: up to 95% (non-condensing)
- FCC class A
- CE class A
- RoHS-compliant

### Software drivers

- Matrox Imaging Library (MIL) drivers for 32/64-bit Microsoft® Windows® XP/Vista®/7
- MIL drivers for 32/64-bit Linux®

## Ordering Information

### Hardware

#### Part number & Description

<b>SOL 6M 4A*</b>	Analog PCI-X® frame grabber with four independent inputs, 64 MB DDR SDRAM and cable adapter board (LVDS aux. I/O).
<b>SOL 6M 1A*</b>	Analog PCI-X® frame grabber with single input, 64 MB DDR SDRAM and cable adapter board (LVDS aux. I/O).
<b>SOL 6M 4A E*</b>	Analog PCIe® x4 frame grabber with four independent inputs, 64 MB DDR SDRAM and cable adapter board (LVDS aux. I/O).
<b>SOL 6M 1A S*</b>	Analog PCIe® x1 frame grabber with single input, 64 MB DDR SDRAM and cable adapter board (LVDS aux. I/O).

### Software

Refer to MIL 9 datasheet for more details.

### Cables

#### Part number & Description

<b>DVI-TO-8BNC/O</b>	8' or 2.4 m cable, DVI to 8 BNCs and open end (requires customization)
----------------------	--

#### Notes:

1. Measured with 33 MHz low pass filter.
2. Measured with a horizontal reference signal at 15.7KHz (RS-170).
3. Solios XA with four independent inputs and without FPGA-based processing core.